

Stock Code: **20821LEDD-BS/ACR**

Collection: Mia

PRODUCT INFORMATION

Base: 20821 Parent: 20821LEDD
Mounting Type: Ceiling UPC: 641594223934
Finish: Brushed Steel
Diffuser: Acrylic Lens

PRODUCT MEASUREMENTS

FIXTURE	BACKPLATE / CANOPY
Length:	Length
Width:	Width:
Diameter 18"	Diameter:
Height: 5.25"	Height:
Extension:	
Overall Height:	

TECHNICAL SPECIFICATIONS

SPECIFICATIONS

Frame Material: Metal
Diffuser Material: Fabric
Lamping Type: SSL (Dedicated LED) Jbox: Standard
Lamping Base: SSL Lamp Wattage: 28 W
Lamp Quantity: 1 Total Wattage: 28 W
Voltage: 120v Lamps Included: Yes

QUALIFICATIONS

Location Rating Damp
Certification: ETL (US/Canada) Listed
ADA Compliant: No Energy Star: No
JA8 Compliant: Yes Emergency Lighting: No
Marine Grade: No Warranty: 5 Year

PHOTOMETRICS

Dimmable: Yes Nominal Lumens 2200 Lm
CRI: 90 Delivered Lumens: 1703 Lm
CCT: 3000K
Recommended Dimmers:
(ELV)LUTRON Maestro CL MACL-153M; (ELV)LUTRON Caseta PD - 6WCL; (TRIAC)LUTRON Diva DVCL-153P; (ELV)LUTRON Maestro MRF2-6CL

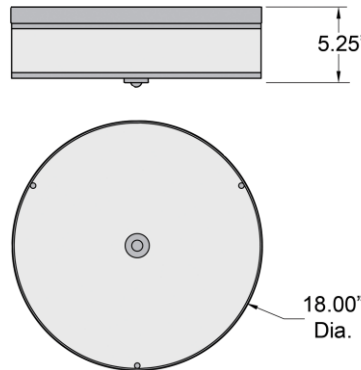
Additional Notes:

Optional Color Temperature 300 Piece Minimum Order Quantity;
Custom Finish 300 Piece Minimum Order Quantity

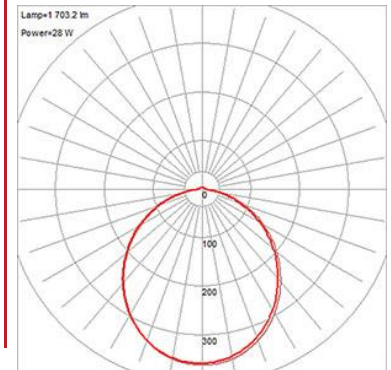
Project Name: _____
Location: _____
Type: _____
Quantity: _____
Notes: _____



LINE DRAWING



IES FILE



In addition to Access Lighting's purchase and warranty terms and conditions, by signing below or placing an order, you agree that you are authorized to bind the entity placing any order and acknowledge the following: All of sizes and measurements are approximate and all images are for illustrative purposes only. In the event of an inconsistency, the "Product Measurements" section controls. There also may be slight differences in the colors and designs compared to the displayed and printed images.

Signature: _____

Print Name _____ Date: _____

Toll Free 800-828-5483 www.AccessLighting.com

14410 Myford Road, Irvine, CA 92606

